



Centrifugal In-Line Fan Series



CIL Serials Ventilator Products

The LTi centrifugal In-line fans are the result of long experience in the development and manufacturing of ventilation systems. The partnership between highly motivated LTi employees and world known component suppliers; guarantees quality products on the highest technical level and precise reliability.

The LTi advantage:

- Easy electrical connection
- Easy installation
- Impellers and casings made of galvanized steel or coated steel
- High efficiency & economic
- Can also be operated in polluted air without problems
- Low noise & quiet running
- Application flexibility

The LTi quality:

LTi centrifugal In-line Duct fans are combined with domestic and foreign advanced technology on design. The sizes of inlet duct and outlet duct are the same.

Connected the fan and piping directly could save design and installation cost on piping. The special housing could reduce noise and vibration, best design on the impeller base on aerodynamics.

Design for blow, exhaust, circle, renew and filtration. It could be used in hotels, marketplace, gymnasium, supermarket, store room and most of the public places

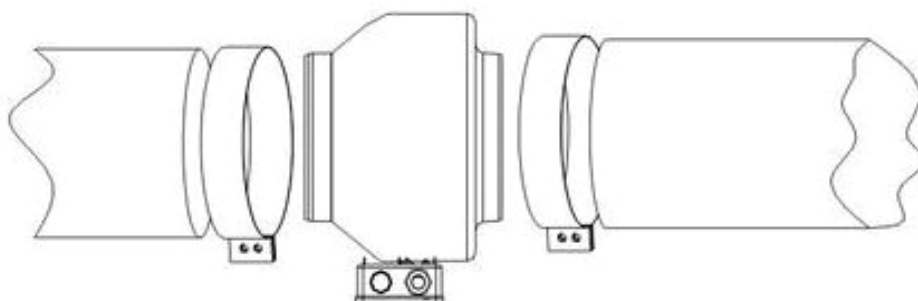
CIL Serials Ventilator Products

LTi Cil fan is designed to cater for high air flow and high static pressure requirements. It is light weight and has excellent performance to sound level ratio.

The uniquely designed 3 speeds external rotor motor provides additional choices for different applications.

Casing

- Manufactured from rust-resistance pre-galvanised steel
- Aerodynamically designed inlet vanes ensures high efficiency performance at low sound level



No appliance of this range weighs more than 10 kg, so that one person alone can conveniently move and install them. All materials of Circular duct fans are complied with RoHs requirement.

Motor

- Uniquely designed 3 speeds external rotor motor
- Moisture resistant, suitable for humid and damp environments
- Permanently lubricated ball bearings ensuring reliable and maintenance-free operation
- Class F insulation
- Speed controller (optional)
- Suitable for operation in ambient temperatures ranging from -14°C to +40°C
- Built-in thermal protection device

Impeller

- Backward curve centrifugal

CIL 100

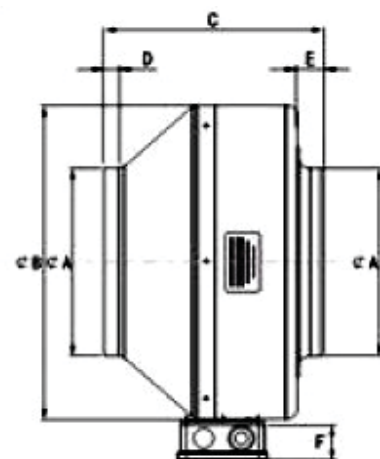
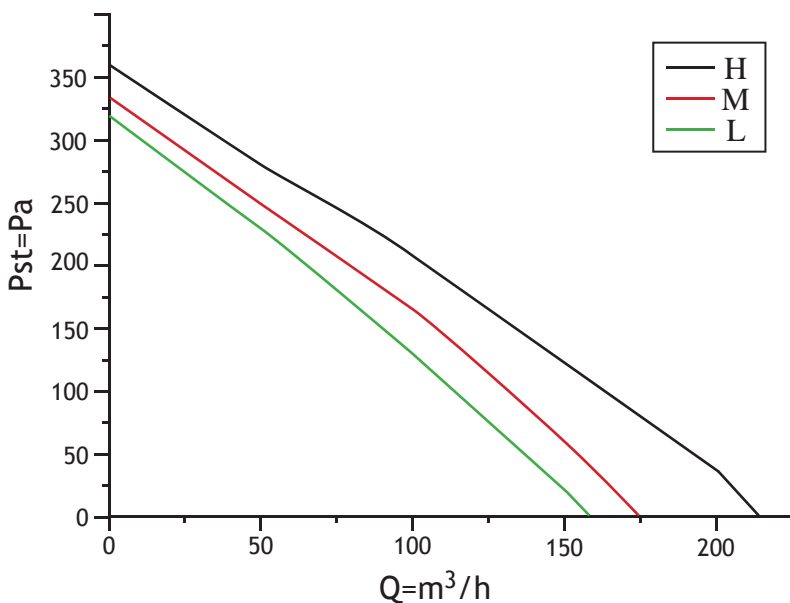


Description:

- Backward curve centrifugal impeller
- Uniquely designed 3 speeds external rotor motor
- Speed Controllable
- Compact in size
- Lighter in weight
- High efficiency
- Low sound level

CIL Fan Series	CIL 100					SOUND DATA												
	Voltage/Frequency	V (50 Hz)	230			Breakout	Hz	SPEED	Mid-frequency band, Hz									
	Phase	-	1						63	125	250	500	1k	2k	4k	8k		
	Power/Frequency	W (50 Hz)	70	57	54				dB(A)	H	16	30	40	51	54	51	40	41
	Current/Frequency	A (50 Hz)	0.36	0.25	0.24					M	13	26	36	48	50	48	44	32
	R.p.m.	min ⁻¹ (50 Hz)	2530	2240	2000					L	10	22	33	44	46	44	37	21
	Sound Pressure level at 3m	dB (A)	41	36	31													
	Enclosure class, motor	IP	44															
Capacitor	µF	1.5																

Performance Curve



DIMENSION DATA					
A	B	C	D	E	F
100	237	204	25	25	42

CIL 125

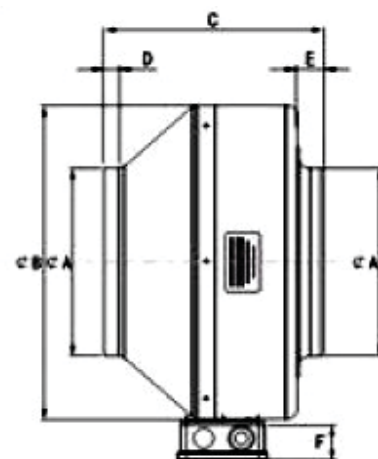
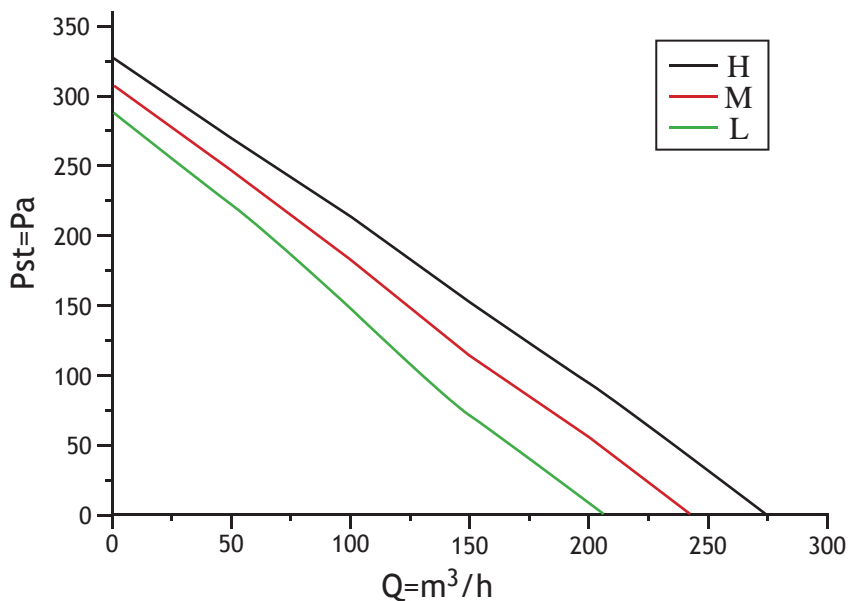


Description:

- Backward curve centrifugal impeller
- Uniquely designed 3 speeds external rotor motor
- Speed Controllable
- Compact in size
- Lighter in weight
- High efficiency
- Low sound level

CIL Fan Series	CIL 125		H	M	L	SOUND DATA												
	Voltage/Frequency	V (50 Hz)	230			Breakout	Hz	SPEED	Mid-frequency band, Hz									
	Phase	-	1						63	125	250	500	1k	2k	4k	8k		
	Power/Frequency	W (50 Hz)	64	54	53			dB(A)	H	15	31	38	54	56	55	54	40	
	Current/Frequency	A (50 Hz)	0.28	0.25	0.24					M	12	28	34	50	53	51	49	33
	R.p.m.	min ⁻¹ (50 Hz)	2570	2170	1750						L	7	24	28	42	46	44	37
	Sound Pressure level at 3m	dB (A)	43	39	32													
	Enclosure class, motor	IP	44															
Capacitor	µF	2																

Performance Curve



DIMENSION DATA					
A	B	C	D	E	F
125	237	193	25	25	42

CIL 160

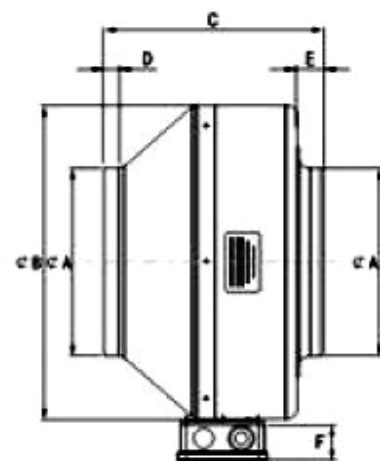
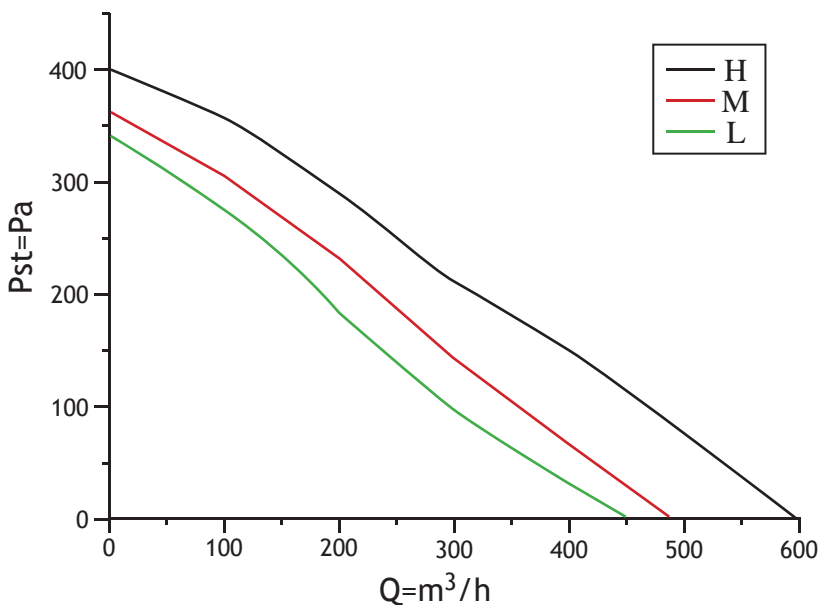


Description:

- Backward curve centrifugal impeller
- Uniquely designed 3 speeds external rotor motor
- Speed Controllable
- Compact in size
- Lighter in weight
- High efficiency
- Low sound level

CIL Fan Series	CIL 160		H	M	L	SOUND DATA												
	Voltage/Frequency	V (50 Hz)	230			Breakout	Hz	SPEED	Mid-frequency band, Hz									
	Phase	-	1						63	125	250	500	1k	2k	4k	8k		
	Power/Frequency	W (50 Hz)	104	71	64			dB(A)	H	16	34	42	57	57	54	57	44	
	Current/Frequency	A (50 Hz)	0.46	0.34	0.31					M	14	29	40	52	52	48	52	37
	R.p.m.	min ⁻¹ (50 Hz)	2390	1950	1570						L	12	26	32	47	46	42	44
	Sound Pressure level at 3m	dB (A)	44	39	33													
	Enclosure class, motor	IP	44															
Capacitor	µF	3																

Performance Curve



DIMENSION DATA					
A	B	C	D	E	F
160	278	195	25	25	42

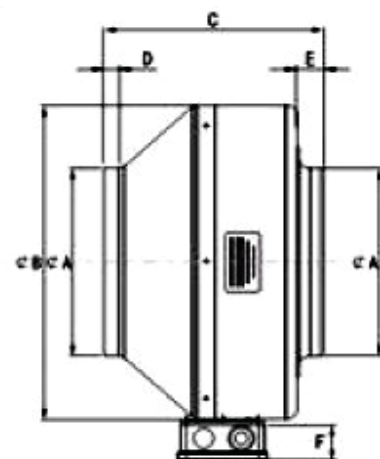
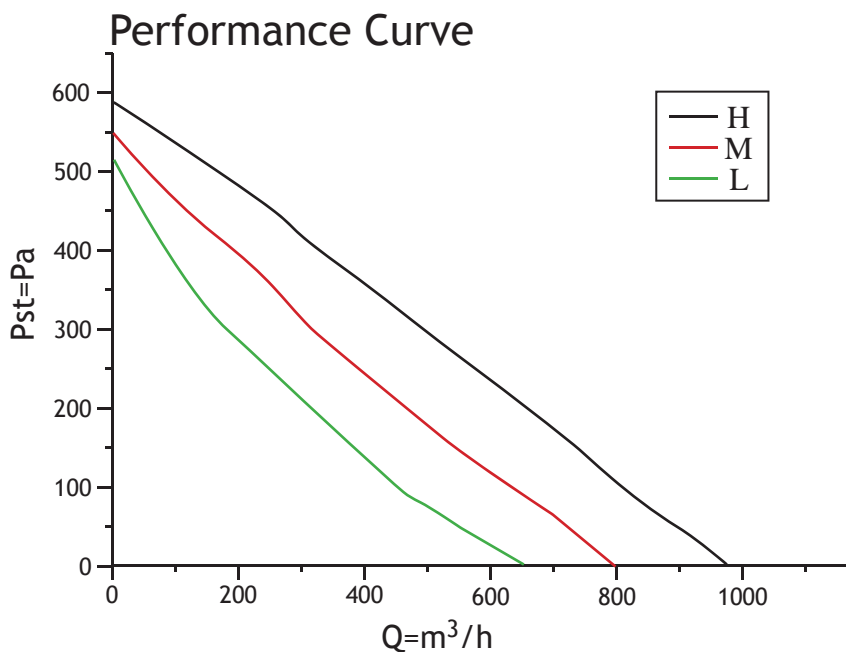
CIL 200



Description:

- Backward curve centrifugal impeller
- Uniquely designed 3 speeds external rotor motor
- Speed Controllable
- Compact in size
- Lighter in weight
- High efficiency
- Low sound level

CIL Fan Series	CIL 200		H	M	L	SOUND DATA										
	Voltage/Frequency	V (50 Hz)	230			Breakout	Hz	SPEED	Mid-frequency band, Hz							
	Phase	-	1						63	125	250	500	1k	2k	4k	8k
	Power/Frequency	W (50 Hz)	146	137	128				H	14	30	39	53	54	54	57
	Current/Frequency	A (50 Hz)	0.64	0.60	0.56		M	7	24	32	46	49	47	51	28	
	R.p.m.	min ⁻¹ (50 Hz)	2400	1840	1420		L	5	25	29	43	49	43	37	17	
	Sound Pressure level at 3m	dB (A)	43	37	33											
	Enclosure class, motor	IP	44													
	Capacitor	µF	3													



DIMENSION DATA					
A	B	C	D	E	F
200	333	210	25	25	42

CIL 250

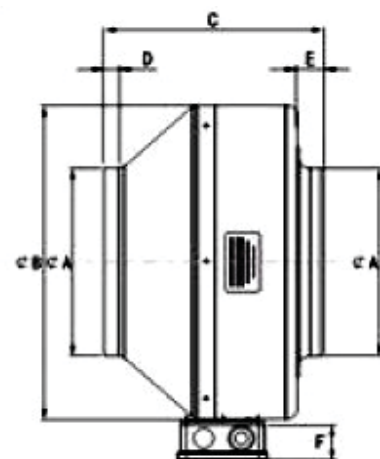
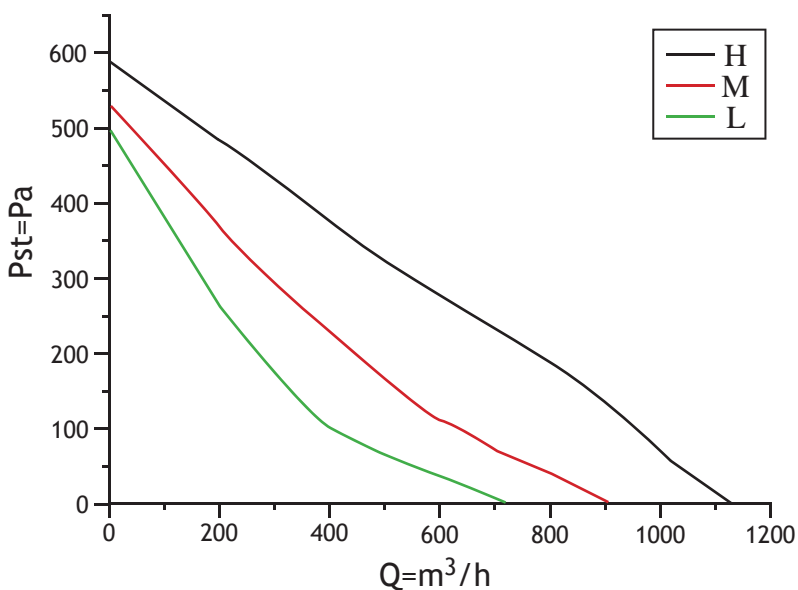


Description:

- Backward curve centrifugal impeller
- Uniquely designed 3 speeds external rotor motor
- Speed Controllable
- Compact in size
- Lighter in weight
- High efficiency
- Low sound level

CIL Fan Series	CIL 250		H	M	L	SOUND DATA												
	Voltage/Frequency	V (50 Hz)	230			Breakout	Hz	SPEED	Mid-frequency band, Hz									
	Phase	-	1						63	125	250	500	1k	2k	4k	8k		
	Power/Frequency	W (50 Hz)	164	144	132			dB(A)	H	17	34	49	61	62	56	56	43	
	Current/Frequency	A (50 Hz)	0.72	0.64	0.58					M	14	31	44	54	56	50	50	36
	R.p.m.	min ⁻¹ (50 Hz)	2410	1860	1440						L	11	30	37	49	50	45	41
	Sound Pressure level at 3m	dB (A)	47	41	35													
	Enclosure class, motor	IP	44															
Capacitor	µF	4																

Performance Curve



DIMENSION DATA					
A	B	C	D	E	F
250	333	210	28.6	28.5	42

CIL 315

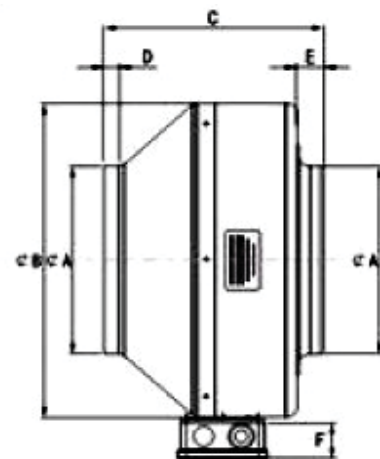
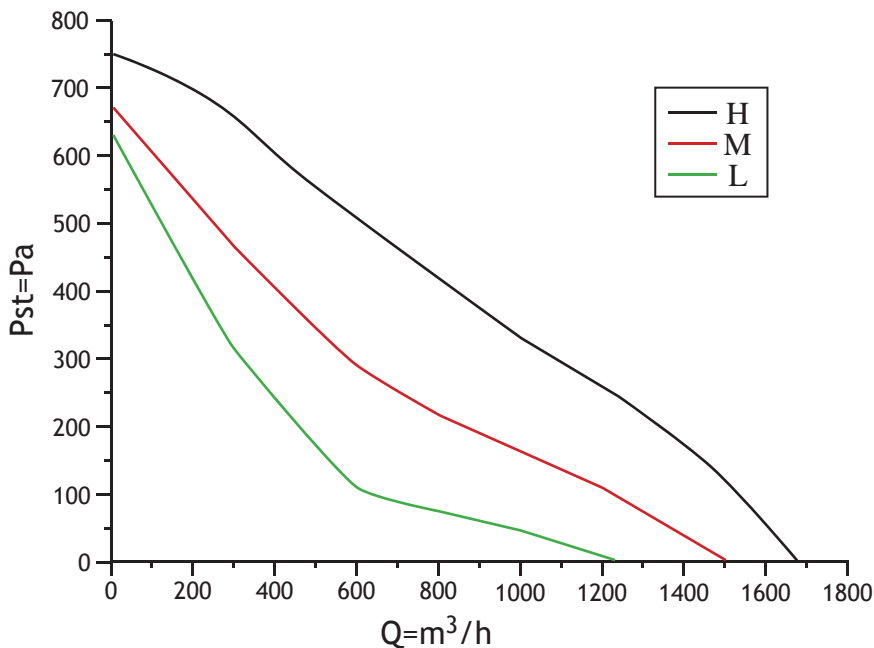


Description:

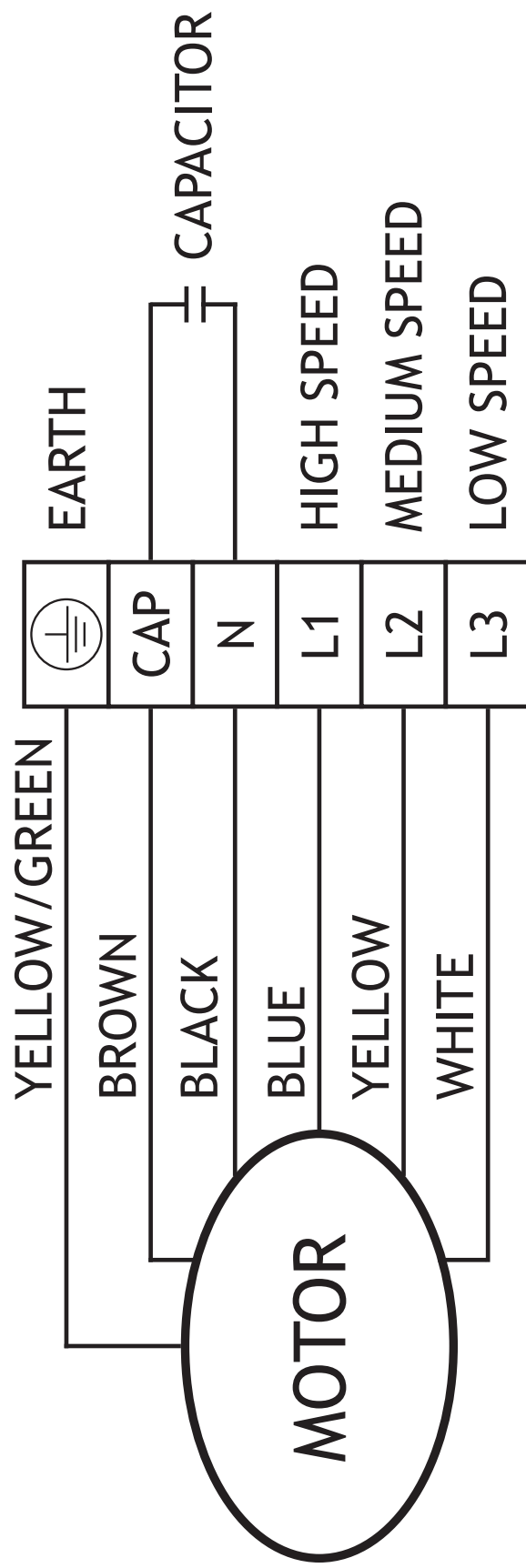
- Backward curve centrifugal impeller
- Uniquely designed 3 speeds external rotor motor
- Speed Controllable
- Compact in size
- Lighter in weight
- High efficiency
- Low sound level

CIL Fan Series	CIL 315					SOUND DATA												
	Voltage/Frequency	V (50 Hz)	230			Breakout	Hz	SPEED	Mid-frequency band, Hz									
	Phase	-	1						63	125	250	500	1k	2k	4k	8k		
	Power/Frequency	W (50 Hz)	190	180	170				dB(A)	H	12	30	42	58	62	58	58	55
	Current/Frequency	A (50 Hz)	0.82	0.78	0.75					M	11	26	39	52	56	60	56	43
	R.p.m.	min ⁻¹ (50 Hz)	2150	1680	1550	L	7	27		43	51	55	57	35	39			
	Sound Pressure level at 3m	dB (A)	48	45	43													
	Enclosure class, motor	IP	44															
Capacitor	µF	6																

Performance Curve



DIMENSION DATA					
A	B	C	D	E	F
315	402	265	25	30	42



ELECTRICAL CONNECTION



LTI Ventilatoren (Asia) Pte Ltd

19 Jalan Mesin

Singapore 368818

Tel: +65 6564 6678

Fax: +65 6564 6616

E-Mail: sales@lti.com.sg